

MICROBLUE®

WITH RESERVOIR & DUCTING KIT



3 YEAR WARRANTY

PERFORMANCE 17dba

MAX FLOW	MAX HEAD	MAX LIFT
5 L/ HOUR	5 METRES	2 METRES

The BLUEDIAMOND® MICROBLUE® utilises the ground-breaking patented GYROK™ technology to offer a small pump but with big features. The MICROBLUE® not only runs silently but can also be mounted in any orientation whilst operating both wet and dry continuously. The pump is dual voltage and covered by the market-leading BLUEDIAMOND® 3 year warranty. The MICROBLUE® is the obvious choice when looking for a compact pump to fit inside or outside an A/C unit.



UNIT
3.5 KW

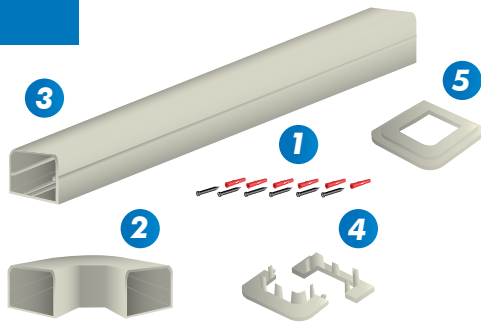
OPTIONS

MICROBLUE® pump available in:

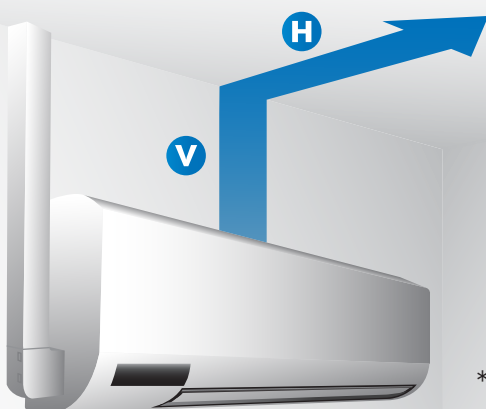
DUCTING KIT	DUCTING KIT
X86-005 (IVORY)	X86-006 (WHITE)
 RAL. 9002	 RAL. 9003

IN THE BOX

1. SCREWS (x6)
2. ELBOW (x1)
3. DUCTING (x1)
4. COLLAR (x1)
5. SPACER (x1)

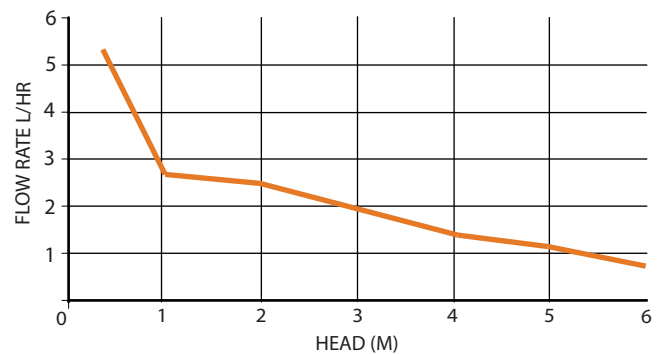


DISCHARGE PIPE RUN

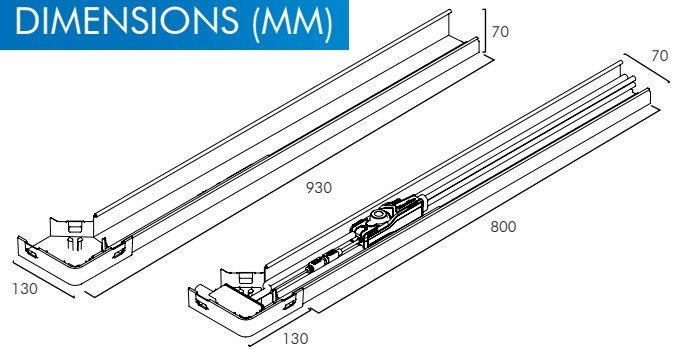


*3.5 KW MAX

PERFORMANCE



DIMENSIONS (MM)



V (VERTICAL)	H (HORIZONTAL)
5 M	0 M
4 M	3 M
3 M	6 M
2 M	9 M
1 M	12 M

The MICROBLUE® can be mounted in any orientation up to 2m away from the air conditioning unit.